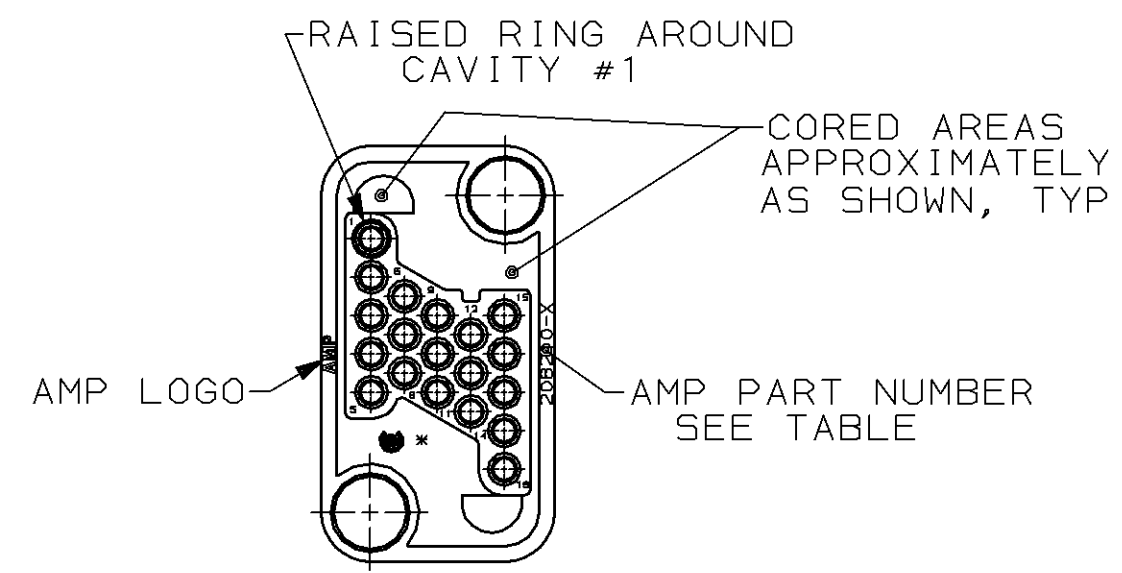
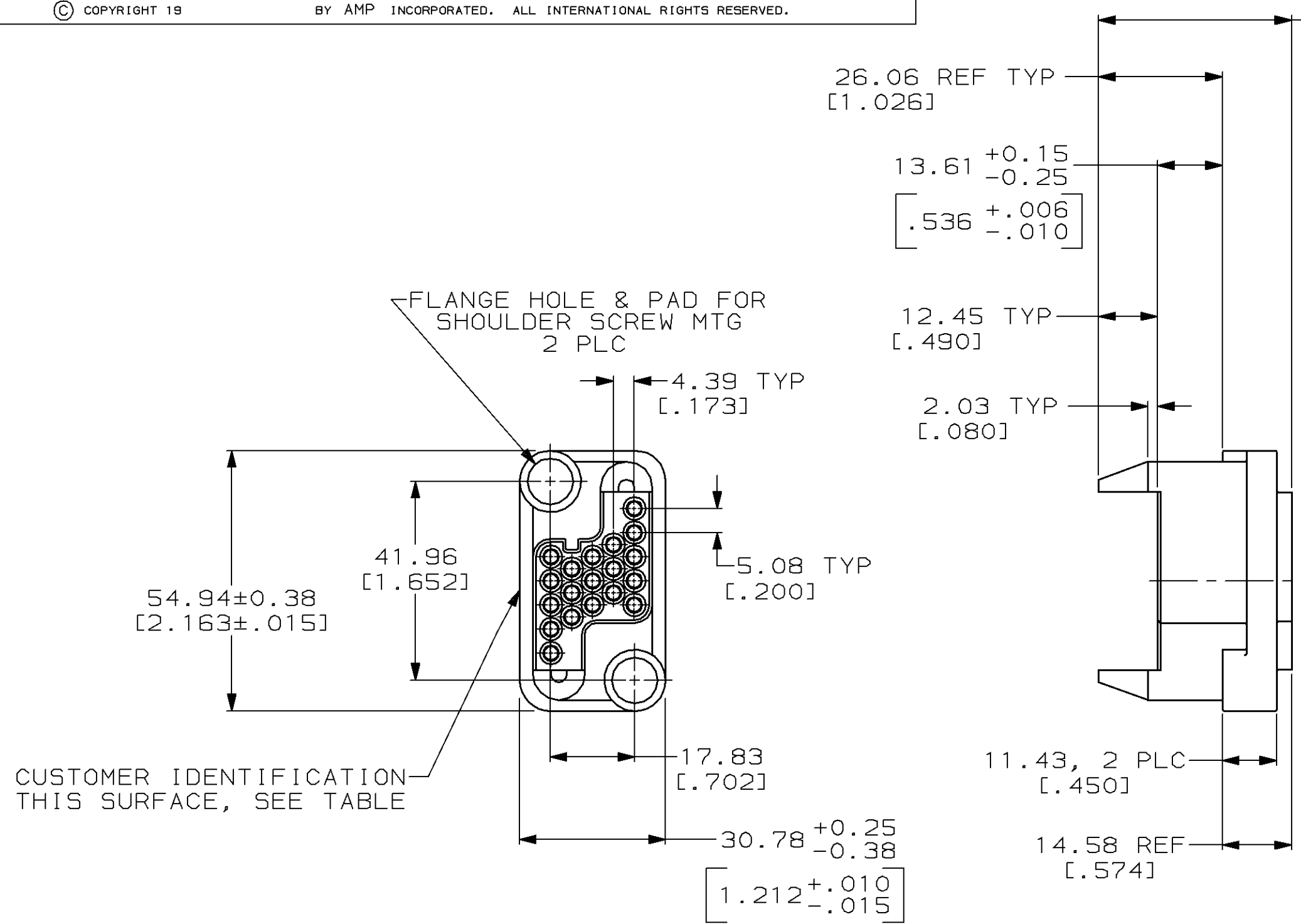
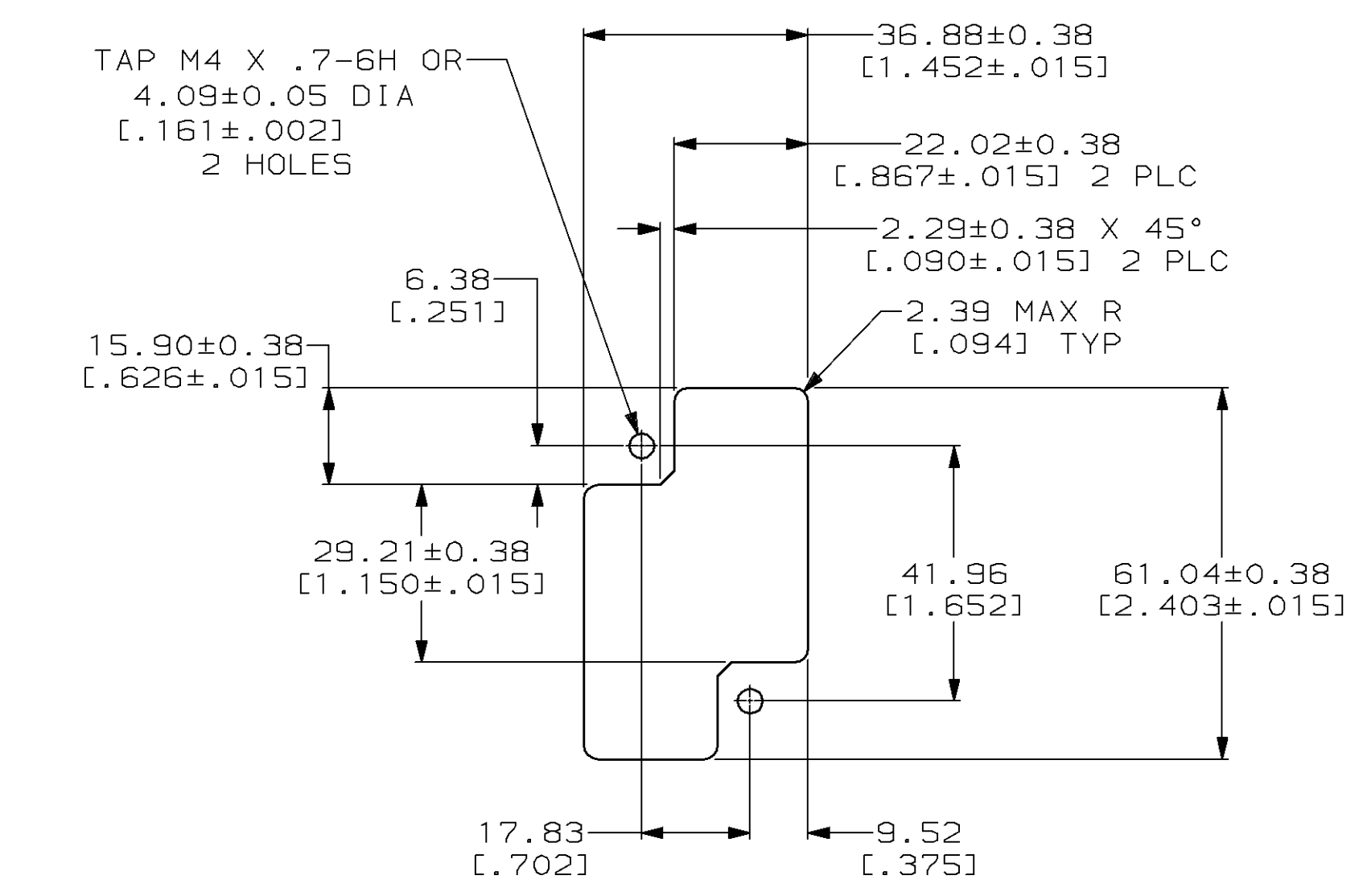


REVISIONS				DATE	APPD
ZONE	LTR	DESCRIPTION			
J		REDRAWN & REV ECN BD5288	09/05/91	-	
K		REV PER EC0020-1069-94	09/16/94	AT	



- 208210 MATES WITH 208209.
- MOUNTING SCREW INFORMATION SEE 208211.
- 208210-1 WILL BE MOLDED WITH AMP PART NUMBER 208210-2 SINCE IT IS AN INK STAMPED VERSION OF 208210-2.



SUGGESTED  
PANEL CUTOUT

MOLDED PART NO	CUST IDENT	MATERIAL	PART NO
208210-5	-	POLYESTER, BLUE	208210-5
208210-2	-	POLYESTER, BLACK	208210-2
208210-2 $\Delta$	113P10188	POLYESTER, BLACK	208210-1

DO NOT SCALE PRINT. UNLESS SPECIFIED DIMENSIONS IN mm [INCHES] TOLERANCES ON : 2 PLC DEC ± 0.13 [0.005] 3 PLC DEC ± - ANGLES ± 1°	DR 09/05/91 R. SHIREY	AMP Incorporated Harrisburg, PA 17105-3608	
	CHK 09/23/91 R. STONE		
MATERIAL SEE TABLE	APPD 09/23/91 A. TRAVIS	SOCKET HOUSING, 19 POSN, METRIMATE	
	APPD 09/23/91 W. PARKER		
FINISH -	APPLICATION SPEC 114-10039	SIZE C	CAGE CODE 00779
	WEIGHT -	SCALE 1:1	DRAWING NO 208210
		SHEET 1 OF 1	